

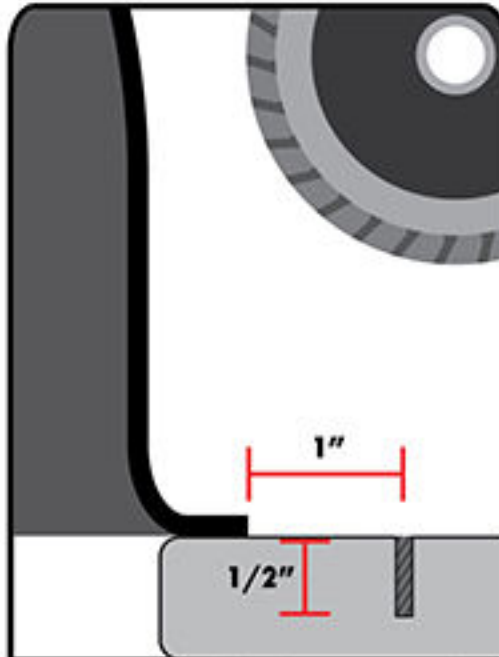
Sinkits Slot-Klips - Undermount Sink Installation Instructions



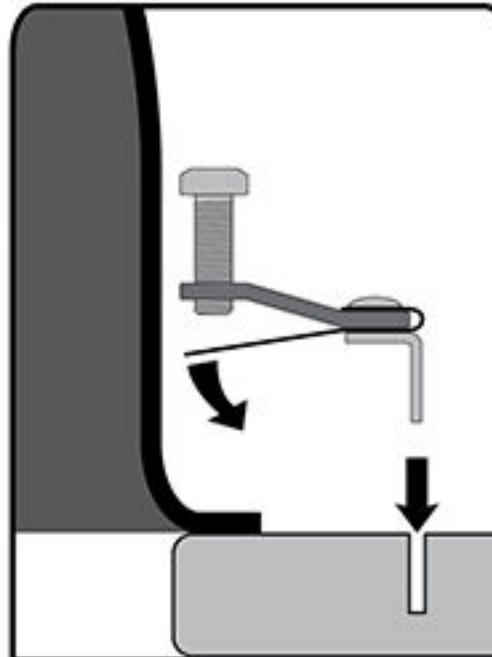
SAVE TIME AND MONEY!

Learn about all our products and watch installation videos at:

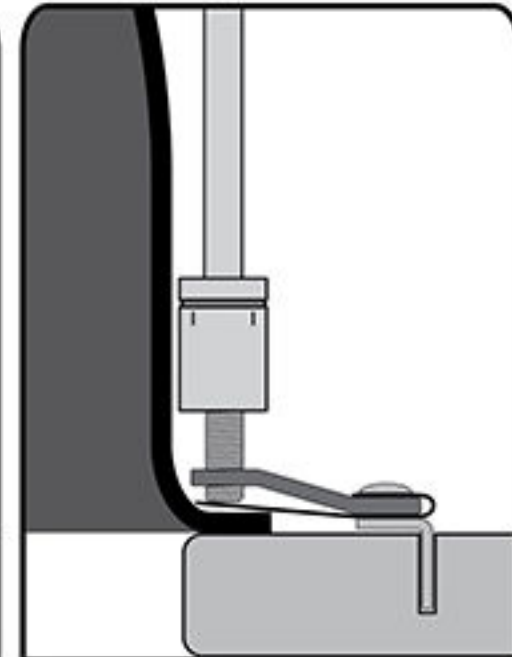
www.sinkits.com



Step 1: Mark the locations to be slotted approximately 1" from the edge of sink rim. Using an appropriate blade, cut a slot to the depth of 1/2".



Step 2: Pre-load the binding tab by bending it away from the Slot-Klip body and fully insert the anchor post into the hole.



Step 3: Tighten the top bolt against the sink rim taking care not to over-tighten.

Please note: The countertop is shown upside down in these installation directions, but sinks can be mounted from underneath as well.

Disclaimer and limitation of liabilities: Sinkits Slot-Klips are designed for the purpose of attaching undermount sinks to solid surfaces such as stone, quartz or products of similar characteristics. The end user must determine the number of Slot-Klips and placement required to properly complete the task and that the material the Slot-Klips are being inserted into has the characteristics needed to support the product being attached. Persons installing Sinkits must be familiar with the process of undermounting sinks beneath countertops and that person assumes the responsibility of insuring the Slot-Klips are properly secured. All responsibility as to the appropriate use of this product is the responsibility of the user. This product is intended to be used by professional personnel who are competent to evaluate the limitations and proper placement and application of its intended use and that person should accept the responsibility that the product is adequately installed.